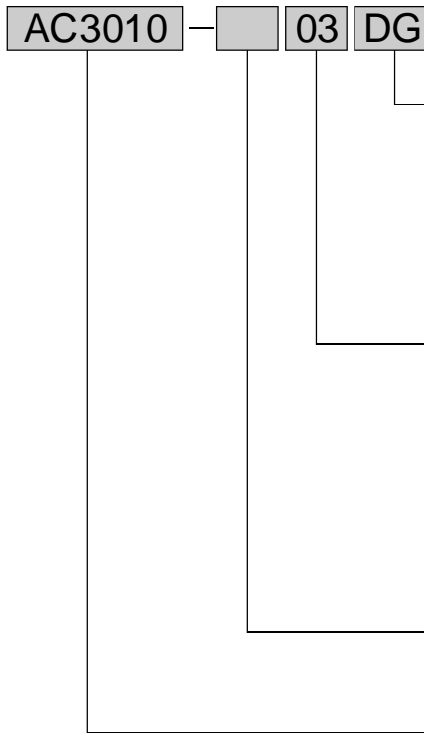


Air Filter / Regulator + Lubricator

2 Units Air Combination

Series AC1010 to 5010

◆ How to Order



Accessories (Options)

Symbol	Description	Applicable model
C	Auto drain	Float style (N.C.): AC2000 to AC5000
D	Auto drain	Pressure differential style: AC1000, AC2000 Float style (N.O.): AC2000 to AC5000
G	Pressure gauge	Without limit indicator: AC1000
		With limit indicator: AC2000 to AC5000

Port size

Symbol	Port size	Applicable model
M5	M5×0.8	AC1010
01	1/8	AC2010
02	1/4	AC2010 / AC3010
03	3/8	AC3010 / AC4010
04	1/2	AC4010
06	3/4	AC4010 / AC5010
10	1	AC5010

Thread

Nil	Metric thread (M5)/Rc (PT)	N	NPT	F	G

Model: 2 units air combination

Series	Combination of equipment
AC1010	Air filter / Regulator + Lubricator (AW) (AL)
AC2010	
AC3010	
AC4010	
AC5010	

◆ Specifications

Model		AC1010	AC2010	AC3010	AC4010	AC4010-06	AC5010
Combination equipment	Filter regulator	AW1000	AW2000	AW3000	AW4000	AW4000-06	AW5010
	Lubricator	AL1000	AL2000	AL3000	AL4000	AL4000-06	AL5010
Port size		M5×0.8	1/8 1/4	1/4 3/8	3/8 1/2	3/4	3/4 1
Gauge port size(Rc(PT))		1/16	1/8	1/8	1/4	1/4	1/4
Fluid		Air					
Proof pressure		1.5MPa					
Max. operating pressure		1.0MPa					
Set pressure range		0.05~0.7 MPa	0.05~0.85 MPa				
Flow(ℓ/min(ANR))(Port size) ⁽¹⁾		90(M5×0.8)	500(1/4)	1700(3/8)	3000(1/2)	3000(3/4)	4000(3/4)
Ambient and fluid temperature		-5~60℃(Non-freezing)					
Filtration		5 μm					
Recommended lubricant		Turbin oil class 1(ISO VG32)					
Bowl material		Polycarbonate					
Construction/Filter regulator		Relieving style					
Weight (kg)		0.22	0.66	0.98	1.93	1.99	3.2
Accessory (Standard equipment)	Bowl guard	—	—	●	●	●	●
	Bracket ⁽²⁾	B110T	B210T	B310T	B410T	B510T	B610T

Note 1): Conditions: Supply pressure 0.7MPa, Set pressure 0.5MPa

Note 2): For a set of 3 pieces or more: L type bracket

Air Filter / Regulator + Lubricator

2 Units Air Combination

Series AC1010 to 5010

ANSSION
PNEUMATIC & HYDRAULIC



AC2010

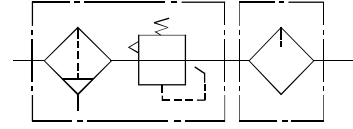


AC3010



AC5010

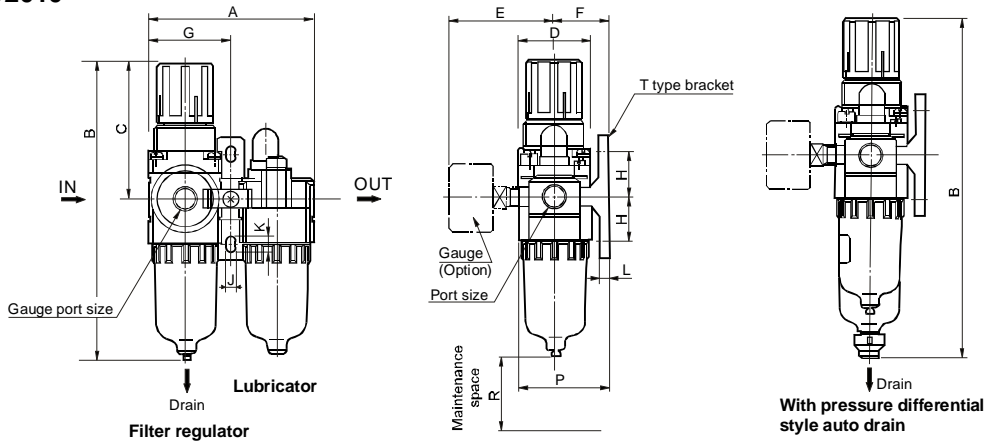
Symbol



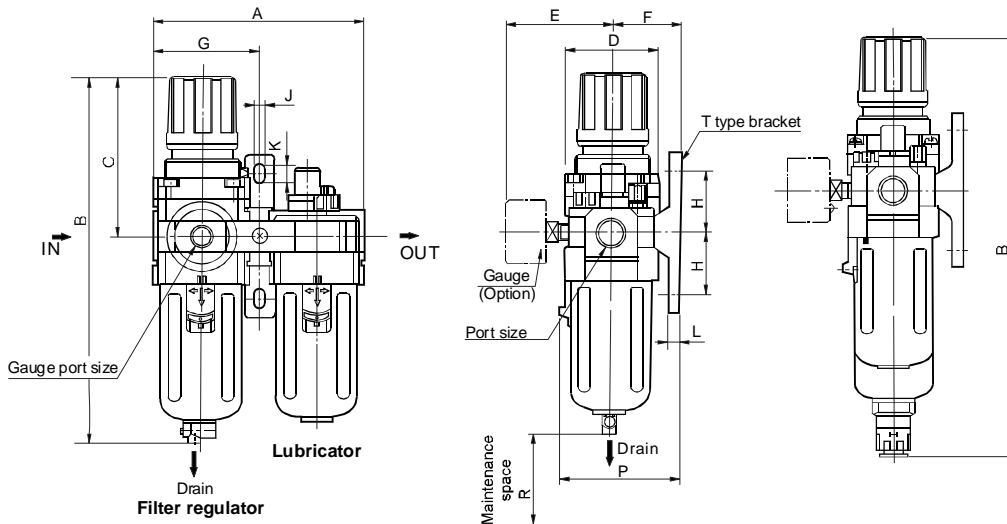
Air filter regulator Lubricator

◆ Dimensions

AC1010, AC2010



AC3010, AC4010, AC4010-06, AC5010



Model	Port size	A	B	C	D	E	Bracket mounting size						P	R	With auto drain	
							F	G	H	J	K	L			Float	Press.Diff.
															B	B
AC1010	M5×0.8	58	109.5	50.5	25	26	25	29	20	4.5	7.5	5	38.5	50	—	130
AC2010	1/8, 1/4	90	164.5	78	40	56.8	30	45	24	5.5	8.5	5	50	80	—	187.5
AC3010	1/4, 3/8	117	207.5	92.5	53	60.8	41	58.5	35	7	11	7	70.5	80	248.5	—
AC4010	3/8, 1/2	154	259	112	70	70.5	50	77	40	9	13	7	88	105	300	—
AC4010-06	3/4	164	263	114	70	70.5	50	82	40	9	13	7	88	105	304	—
AC5010	3/4, 1	195	338	116	90	75.5	69.8	97.5	50	12	16	10.5	115	130		

- III
- AD401,402
- AC**
- AW
- AF
- AR
- AL
- UFRL
- UFR/L
- UFR
- UF
- UR
- UL
- FRL700A
- FRL600A
- FR500A
- F200A
- NR200
- R 200
- L200A
- AAC,ABC
- AAF,ABFC
- AAFR,ABFR
- AAF,ABF
- AAR,ABR
- AAL,ABL
- SFC
- SFR
- SL