

Vacuum Ejector

Box Type(Built-in Silencer) / Body Ported Type

Series ZH

ANSSION
PNEUMATIC & HYDRAULIC

◆ How to Order

Box type
(Built-in silencer)

ZH 07 B S - 06 - 06

Body ported type
(without silencer)

ZH 07 D S - 01 - 01 - 01

EXH. Port size Note)

Symbol	Size	Style
06	Φ6	One-touch
08	Φ8	One-touch
10	Φ10	One-touch
01	Rc1/8	Screw-in
02	Rc1/4	Screw-in

VAC. Port size Note)

Symbol	Size	Style
06	Φ6	One-touch
10	Φ10	One-touch
01	Rc1/8	Screw-in
02	Rc1/4	Screw-in

SUP. Port size Note)

Symbol	Size	Style
06	Φ6	One-touch
08	Φ8	One-touch
01	Rc1/8	Screw-in

Maximum vacuum pressure

S	-88 kpa
L	-48 kpa

Nozzle diameter

05	0.5mm Φ
07	0.7mm Φ
10	10mm Φ
13	1.3mm Φ

V
CV
ZU
ZH

Note): Refer to “table (1)” and “(2)” for the combination available for SUP, VAC and EXH port connection.

Table(1) combination of connection

Body type		SUP	VAC	EXH
Box type (built-in silencer)	1	One-touch	One-touch	-
	2	One-touch	Screw-in	-
	3	Screw-in	Screw-in	-
Box ported type (without silencer)	1	One-touch	One-touch	One-touch
	2	One-touch	Screw-in	One-touch
	3	Screw-in	Screw-in	Screw-in

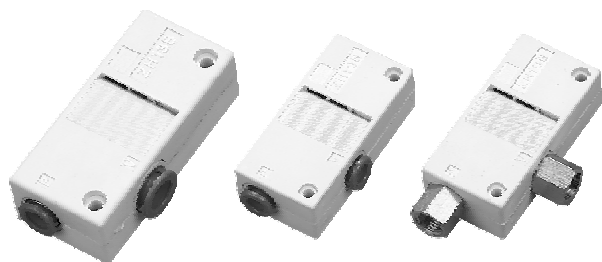
Table(2) port size

Model	Connection(one-touch/screw-in)		
	SUP	VAC	EXH
ZH05B	Φ6 / Rc1/8	Φ6 / Rc1/8	-
ZH07B	Φ6 / Rc1/8	Φ6 / Rc1/8	-
ZH10B	Φ6 / Rc1/8	Φ6 / Rc1/8	-
ZH13B	Φ8 / Rc1/8	Φ10 / Rc1/4	-
ZH05D	Φ6 / Rc1/8	Φ6 / Rc1/8	Φ6 / Rc1/8
ZH07D	Φ6 / Rc1/8	Φ6 / Rc1/8	Φ6 / Rc1/8
ZH10D	Φ6 / Rc1/8	Φ6 / Rc1/8	Φ8 / Rc1/8
ZH13D	Φ8 / Rc1/8	Φ10 / Rc1/4	Φ10 / Rc1/4

Vacuum Ejector

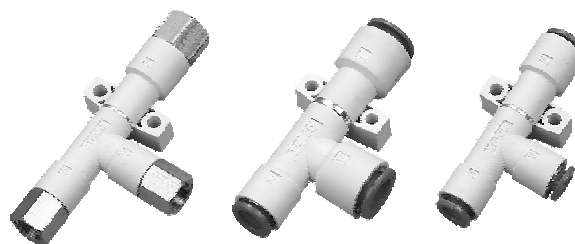
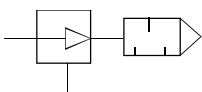
Box Type(Built-in Silencer) / Body Ported Type

Series ZH



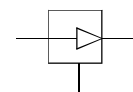
Box type: B
(Built-in silencer)

Symbol



Body ported type: D
(Without silencer)

Symbol

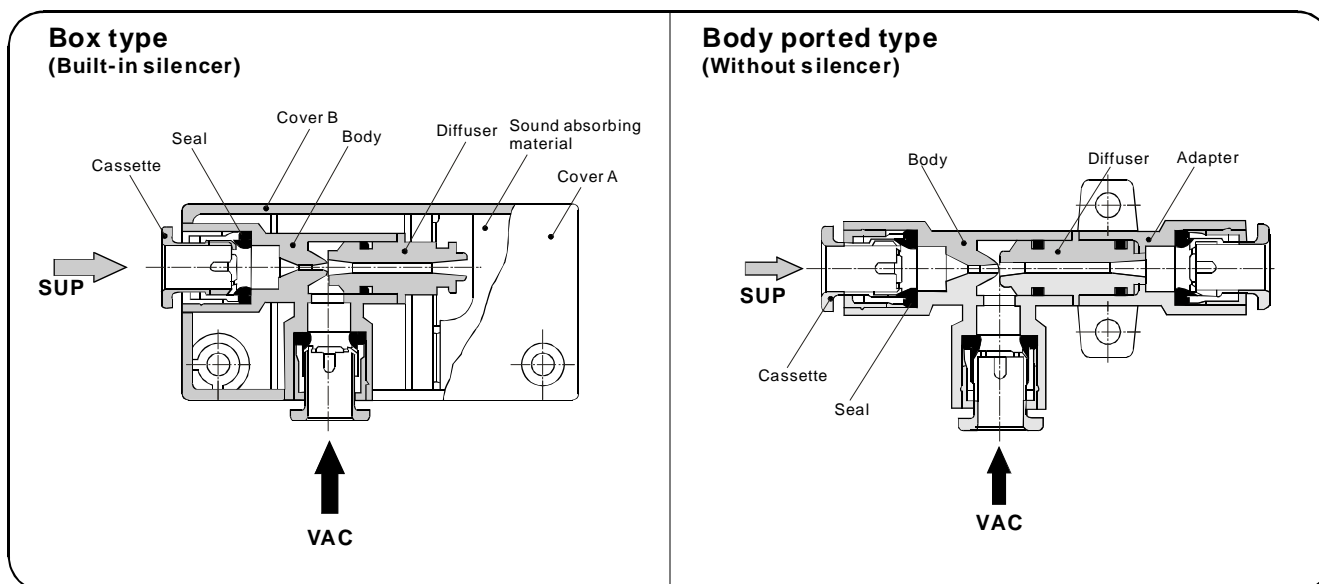


◆ Model

Model	Nozzle diameter (mm)	Body type	Max. Vacuum pressure* (kpa)		Maximum suction flow rate (min(ANR))		Air consumption (min(ANR))	Connection (one-touch / screw-in)			Weight (g)
			Type S	Type L	Type S	Type L		Type S / Type L	SUP	VAC	
ZH05B	0.5	Box type (Built-in silencer)	-88	-48	5	8	13	Φ 6 / Rc1/8	Φ 6 / Rc1/8	-	28
ZH07B	0.7		-88	-48	12	20	23	Φ 6 / Rc1/8	Φ 6 / Rc1/8	-	28
ZH10B	1.0		-88	-48	24	34	46	Φ 6 / Rc1/8	Φ 6 / Rc1/8	-	33
ZH13B	1.3		-88	-48	40	70	78	Φ 8 / Rc1/8	Φ 10 / Rc1/4	-	66
ZH05D	0.5	Body ported type (Without silencer)	-88	-48	5	8	13	Φ 6 / Rc1/8	Φ 6 / Rc1/8	Φ 6 / Rc1/8	11
ZH07D	0.7		-88	-48	12	20	23	Φ 6 / Rc1/8	Φ 6 / Rc1/8	Φ 6 / Rc1/8	12
ZH10D	1.0		-88	-48	24	34	46	Φ 6 / Rc1/8	Φ 6 / Rc1/8	Φ 8 / Rc1/8	16
ZH13D	1.3		-88	-48	40	70	78	Φ 8 / Rc1/8	Φ 10 / Rc1/4	Φ 10 / Rc1/4	27

*Supply pressure: 0.45MPa.

◆ Construction



Vacuum Ejector

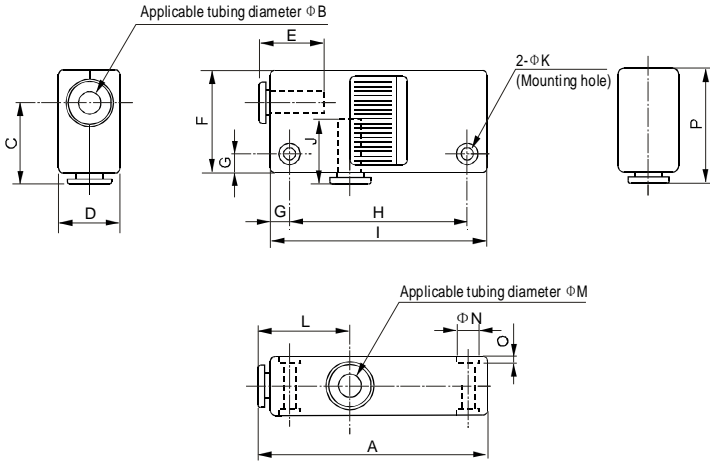
Box Type(Built-in Silencer) / Body Ported Type

Series ZH

ANSSION
PNEUMATIC & HYDRAULIC

◆ Dimensions(Box type ,built-in silencer: ZH□B^S-□-□)

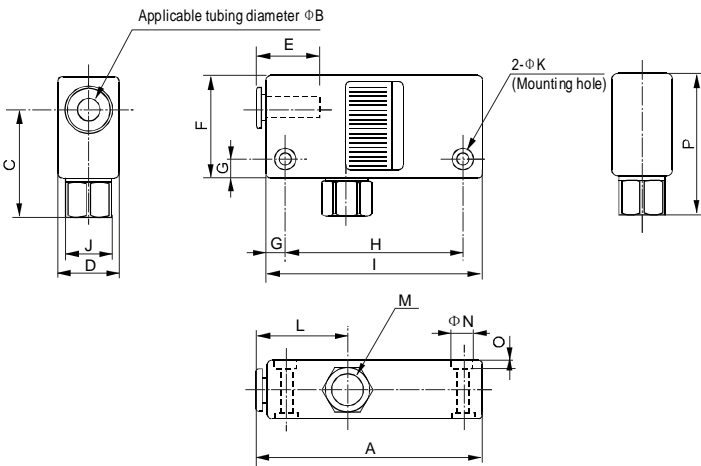
One-touch connection



Model	A	ΦB	C	D	E	F	G	H
ZH05BS-06-06	60	6	22	16	12.8	28	5	47
ZH05BL-06-06	60	6	22	16	12.8	28	5	47
ZH07BS-06-06	60	6	22	16	12.8	28	5	47
ZH07BL-06-06	60	6	22	16	12.8	28	5	47
ZH10BS-06-06	63	6	23	18	12.8	29	5	50
ZH10BL-06-06	63	6	23	18	12.8	29	5	50
ZH13BS-08-10	78	8	27.5	23	13.7	35	7	61
ZH13BL-08-10	78	8	27.5	23	13.7	35	7	61

Model	I	J	ΦK	L	ΦM	ΦN	O	P
ZH05BS-06-06	57	12.8	3.2	24	6	5.8	2	31
ZH05BL-06-06	57	12.8	3.2	24	6	5.8	2	31
ZH07BS-06-06	57	12.8	3.2	24	6	5.8	2	31
ZH07BL-06-06	57	12.8	3.2	24	6	5.8	2	31
ZH10BS-06-06	60	12.8	3.2	26	6	5.8	2	32
ZH10BL-06-06	60	12.8	3.2	26	6	5.8	2	32
ZH13BS-08-10	75	15.3	4.2	28	10	7.5	3	38.5
ZH13BL-08-10	75	15.3	4.2	28	10	7.5	3	38.5

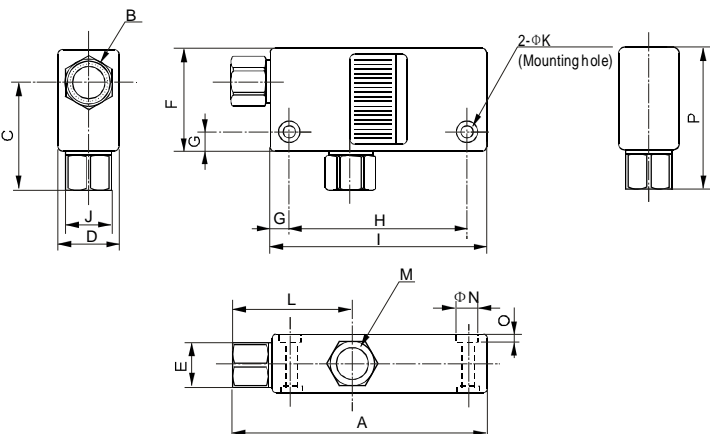
One-touch and screw-in connection



Model	A	ΦB	C	D	E	F	G	H
ZH05BS-06-01	60	6	29.5	16	12.8	28	5	47
ZH05BL-06-01	60	6	29.5	16	12.8	28	5	47
ZH07BS-06-01	60	6	29.5	16	12.8	28	5	47
ZH07BL-06-01	60	6	29.5	16	12.8	28	5	47
ZH10BS-06-01	63	6	30.5	18	12.8	29	5	50
ZH10BL-06-01	63	6	30.5	18	12.8	29	5	50
ZH13BS-08-02	78	8	39	23	13.7	35	7	61
ZH13BL-08-02	78	8	39	23	13.7	35	7	61

Model	I	J	ΦK	L	M	ΦN	O	P
ZH05BS-06-01	57	12	3.2	24	Rc1/8	5.8	2	38.5
ZH05BL-06-01	57	12	3.2	24	Rc1/8	5.8	2	38.5
ZH07BS-06-01	57	12	3.2	24	Rc1/8	5.8	2	38.5
ZH07BL-06-01	57	12	3.2	24	Rc1/8	5.8	2	38.5
ZH10BS-06-01	60	12	3.2	26	Rc1/8	5.8	2	39.5
ZH10BL-06-01	60	12	3.2	26	Rc1/8	5.8	2	39.5
ZH13BS-08-02	75	17	4.2	28	Rc1/4	7.5	3	50
ZH13BL-08-02	75	17	4.2	28	Rc1/4	7.5	3	50

Screw-in connection



Model	A	B	C	D	E	F	G	H
ZH05BS-01-01	67.5	Rc1/8	29.5	16	12	28	5	47
ZH05BL-01-01	67.5	Rc1/8	29.5	16	12	28	5	47
ZH07BS-01-01	67.5	Rc1/8	29.5	16	12	28	5	47
ZH07BL-01-01	67.5	Rc1/8	29.5	16	12	28	5	47
ZH10BS-01-01	70.5	Rc1/8	30.5	18	12	29	5	50
ZH10BL-01-01	70.5	Rc1/8	30.5	18	12	29	5	50
ZH13BS-01-02	86.5	Rc1/8	39	23	14	35	7	61
ZH13BL-01-02	86.5	Rc1/8	39	23	14	35	7	61

Model	I	J	ΦK	L	M	ΦN	O	P
ZH05BS-01-01	57	12	3.2	31.5	Rc1/8	5.8	2	38.5
ZH05BL-01-01	57	12	3.2	31.5	Rc1/8	5.8	2	38.5
ZH07BS-01-01	57	12	3.2	31.5	Rc1/8	5.8	2	38.5
ZH07BL-01-01	57	12	3.2	31.5	Rc1/8	5.8	2	38.5
ZH10BS-01-01	60	12	3.2	33.5	Rc1/8	5.8	2	39.5
ZH10BL-01-01	60	12	3.2	33.5	Rc1/8	5.8	2	39.5
ZH13BS-01-02	75	17	4.2	36.5	Rc1/4	7.5	3	50
ZH13BL-01-02	75	17	4.2	36.5	Rc1/4	7.5	3	50

V
CV
ZU
ZH

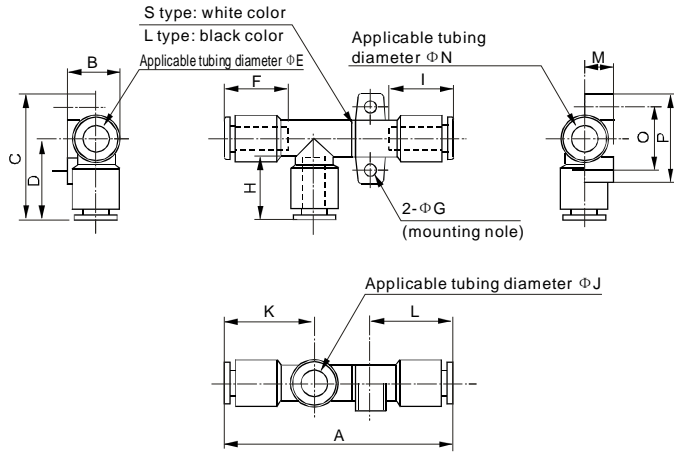
Vacuum Ejector

Box Type(Built-in Silencer) / Body Ported Type

Series ZH

◆ Dimensions(Body ported type, without silencer: ZH□D_L^S-□-□-□)

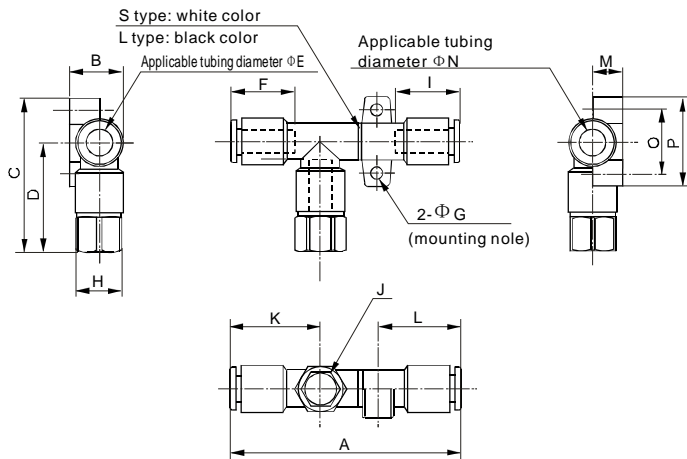
One-touch connection



Model	A	B	C	D	ΦE	F	ΦG	H
ZH05DS-06-06-06	58.5	14.2	34	22	6	12.8	3.2	12.8
ZH05DL-06-06-06	58.5	14.2	34	22	6	12.8	3.2	12.8
ZH07DS-06-06-06	61	14.2	34	22	6	12.8	3.2	12.8
ZH07DL-06-06-06	61	14.2	34	22	6	12.8	3.2	12.8
ZH10DS-06-06-08	66	17.2	37	23	6	12.8	4.2	12.8
ZH10DL-06-06-08	70	17.2	37	23	6	12.8	4.2	12.8
ZH13DS-08-10-10	74.5	20	42.5	27.5	8	13.7	4.2	15.3
ZH13DL-08-10-10	79.5	20	42.5	27.5	8	13.7	4.2	15.3

Model	I	ΦJ	K	L	M	ΦN	O	P
ZH05DS-06-06-06	12.8	6	24	21	7.8	6	17	24
ZH05DL-06-06-06	12.8	6	24	21	7.8	6	17	24
ZH07DS-06-06-06	12.8	6	24	22	7.8	6	17	24
ZH07DL-06-06-06	12.8	6	24	22	7.8	6	17	24
ZH10DS-06-06-08	13.7	6	26	24.5	9.6	8	20	28
ZH10DL-06-06-08	13.7	6	26	24.5	9.6	8	20	28
ZH13DS-08-10-10	15.3	10	28	27	10.7	10	22	30
ZH13DL-08-10-10	15.3	10	28	27	10.7	10	22	30

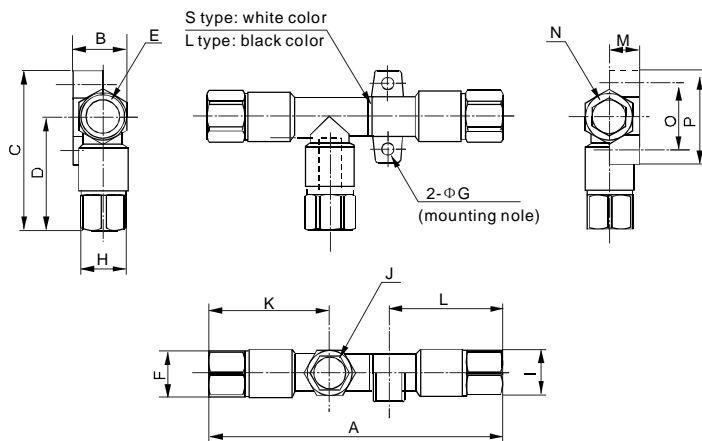
One-touch and screw-in connection



Model	A	B	C	D	ΦE	F	ΦG	H
ZH05DS-06-01-06	58.5	14.2	41.5	29.5	6	12.8	3.2	12
ZH05DL-06-01-06	58.5	14.2	41.5	29.5	6	12.8	3.2	12
ZH07DS-06-01-06	61	14.2	41.5	29.5	6	12.8	3.2	12
ZH07DL-06-01-06	61	14.2	41.5	29.5	6	12.8	3.2	12
ZH10DS-06-01-08	66	17.2	44.5	30.5	6	12.8	4.2	12
ZH10DL-06-01-08	70	17.2	44.5	30.5	6	12.8	4.2	12
ZH13DS-08-02-10	74.5	19.95	54	39	8	13.7	4.2	17
ZH13DL-08-02-10	79.5	19.95	54	39	8	13.7	4.2	17

Model	I	J	K	L	M	ΦN	O	P
ZH05DS-06-01-06	12.8	Rc1/8	24	21	7.8	6	17	24
ZH05DL-06-01-06	12.8	Rc1/8	24	21	7.8	6	17	24
ZH07DS-06-01-06	12.8	Rc1/8	24	22	7.8	6	17	24
ZH07DL-06-01-06	12.8	Rc1/8	24	22	7.8	6	17	24
ZH10DS-06-01-08	13.7	Rc1/8	26	24.5	9.6	8	20	28
ZH10DL-06-01-08	13.7	Rc1/8	26	24.5	9.6	8	20	28
ZH13DS-08-02-10	15.3	Rc1/4	28	27	10.7	10	22	30
ZH13DL-08-02-10	15.3	Rc1/4	28	27	10.7	10	22	30

Screw-in connection



Model	A	B	C	D	E	F	ΦG	H
ZH05DS-01-01-01	73.5	14.2	41.5	29.5	Rc1/8	12	3.2	12
ZH05DL-01-01-01	73.5	14.2	41.5	29.5	Rc1/8	12	3.2	12
ZH07DS-01-01-01	76	14.2	41.5	29.5	Rc1/8	12	3.2	12
ZH07DL-01-01-01	76	14.2	41.5	29.5	Rc1/8	12	3.2	12
ZH10DS-01-01-01	82	17.2	44.5	30.5	Rc1/8	12	4.2	12
ZH10DL-01-01-01	86	17.2	44.5	30.5	Rc1/8	12	4.2	12
ZH13DS-01-02-02	94.5	19.95	54	39	Rc1/8	14	4.2	17
ZH13DL-01-02-02	99.5	19.95	54	39	Rc1/8	14	4.2	17

Model	I	J	K	L	M	N	O	P
ZH05DS-01-01-01	12	Rc1/8	31.5	28.5	7.8	Rc1/8	17	24
ZH05DL-01-01-01	12	Rc1/8	31.5	28.5	7.8	Rc1/8	17	24
ZH07DS-01-01-01	12	Rc1/8	31.5	29.5	7.8	Rc1/8	17	24
ZH07DL-01-01-01	12	Rc1/8	31.5	29.5	7.8	Rc1/8	17	24
ZH10DS-01-01-01	14	Rc1/8	33.5	33	9.6	Rc1/8	20	28
ZH10DL-01-01-01	14	Rc1/8	33.5	33	9.6	Rc1/8	20	28
ZH13DS-01-02-02	17	Rc1/4	36.5	38.5	10.7	Rc1/4	22	30
ZH13DL-01-02-02	17	Rc1/4	36.5	38.5	10.7	Rc1/4	22	30